

## ERGO-EXPRESS®

# Motorized Data Center Service System

Eliminate the risk of an injury associated with data center maintenance tasks.



### Our Mission

PHS West is a relationship focused organization providing innovative products for a safe and efficient workplace.



*Each day I spend at PHS West, I have the opportunity to generate and foster an environment rooted in creativity and productivity. Developing innovative solutions that make a difference for our customers is our top priority.*

**Isaac Braun**  
SENIOR MECHANICAL ENGINEER



## Motorized Data Center Service System

The Ergo-Express® Motorized Data Center Service System takes the hassle out of routine server maintenance. The Motorized Service Cart allows an operator to transport everything they need for server maintenance tasks, including a Data Center Lifter, safely in one trip. Put an end to the need for multiple trips to gather tools and equipment for a single job. Safely move, lift and position heavy server components throughout your facility.



### BENEFITS

The Motorized Service Cart is configured to house and transport all necessary tools, laptops, replacement parts and a Data Center Lifter. Eliminating the need for maintenance team members to manually transport equipment mitigates push, pull and lifting injuries as soon as the system is implemented.

In addition, our Motorized Service System puts an end to inefficient processes which require multiple trips to complete a single task. Allow multiple jobs to be completed without the need to resupply.

# Motorized Data Center Service System

## SYSTEM EFFICIENCY

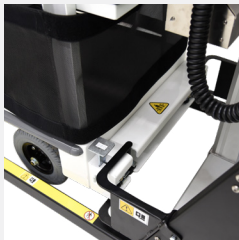
The Motorized Service Cart and Data Center Lifter work in tandem to form an all-encompassing server maintenance system. Eliminate the injury risk and numerous trips associated with manual transport.



### FEATURES

#### Power Drive System

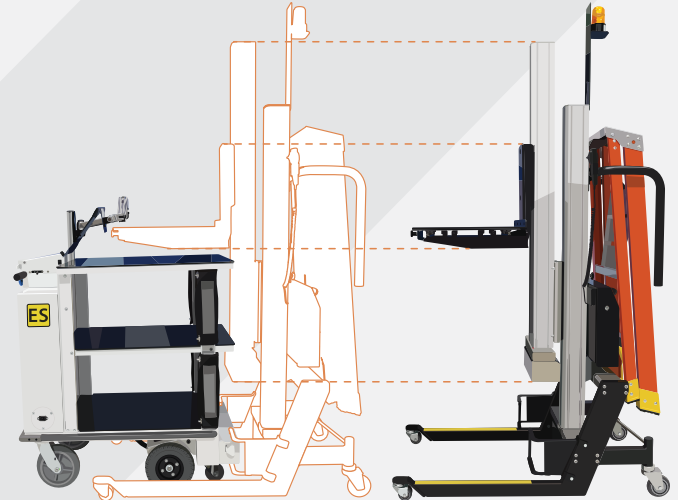
Transport all tools and equipment together with zero push or pull force.



### FEATURES

#### Seamless Compatibility

Secure coupling that easily detaches for individual positioning.



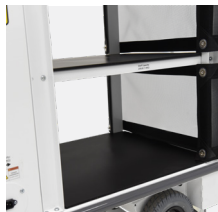
## MOTORIZED CART FEATURES

The Motorized Data Center Service Cart provides ample space for all essential tools and replacement parts. Effortlessly transport all equipment in a single trip.



### DUTY CYCLE

Ensure downtime is minimized with batteries that are built to withstand the workday. One full charge provides eight hours of continuous use.



### SHELVING

The low friction surface makes loading and positioning components effortless. Enclosure options ensure that equipment remains secure during transport.

### MODULAR DESIGN

Configure dimensions and accessory options to fit your needs.



6704 Bleck Drive, Rockford, MN 55373



763-498-7576 | 1-888-639-5438



[www.phswest.com](http://www.phswest.com)